



Fisheye Series Two

12MP Fisheye Network Camera

IMC2-F-12



Key Features

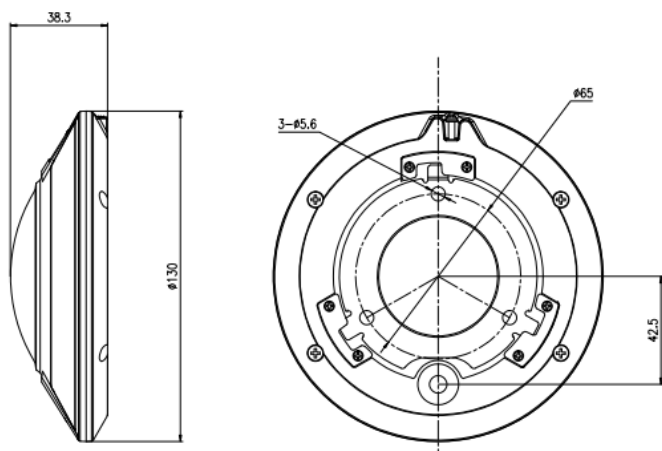
- 1/1.7" progressive scan CMOS
- 25fps @ 12MP(4000x3000)
- Multi dewarping modes and front end image correction
- Support human and vehicle detection
- Intelligent analysis: intrusion, single line crossing, double line crossing, loitering, wrong-way, people counting, smart motion detection and heat map
- DWDR, 3D DNR, ROI, Defog, HLC
- Built-in microphone
- Smart IR distance up to 15 m
- IP66

Specification

Camera	
Image Sensor	1/1.7" Progressive Scan CMOS
Max. Resolution	4000(H)x3000(V)
Electronic Shutter	Auto/Manual, 1/5 ~ 1/20,000s
Min. illumination	Color: 0.01 Lux @ (F2.4, AGC ON) B/W: 0 Lux @ (IR LED ON)
Day & Night	Auto(ICR)
IR Distance	Up to 15 m (49.2 ft)
IR On/Off Control	Auto/ Manual
Lens	
Lens Type	Fixed
Iris	Fixed Iris
Focal Length	1.8 mm
F Number	F2.4
Angle of View	180°x180°
Video	
Streaming Capability	2 Streams
Main Stream	One-Channel: 4000x3000, 4000x2000, 3840x2160, 3000x3000, 3000x752, 2560x2560, 1920x1080 @25fps Multi-Channel: 1520x1520, 960x960, 720x720, 640x640 @25fps
Sub Stream	One-Channel: 1280x960, D1, 720x720 @25/25fps Multi-Channel: 640x640 @25/25fps
Bit Rate Control	CBR/VBR
Bit Rate	One-Channel: Stream1: 500Kbps~16Mbps Stream2: 200Kbps~8Mbps Multi-Channel: Stream1: 100Kbps~12Mbps Stream2: 100Kbps~6Mbps
Smart Encoder	Support
Region of Interest (ROI)	Support (Single-channel and fisheye mode)
Image	
Image Adjustment	Brightness, Sharpness, Contrast, Saturation adjustable
Mirror	Support
White Balance	Auto/Manual
Day/Night Setting	Auto, Day, Night, Time
Smart IR	Support
Noise Reduction	2D/3D DNR
Image Enhancement	HLC, BLC, Defog
Wide Dynamic Range	DWDR
S/N Ratio	55dB
Motion Detection	Support
Privacy Masking	Support (Single-channel and fisheye mode)
Audio	
Compression	G.711A, G711U, RAW_PCM, NONE
Bit Rate	16kbps (G.711)

Smart Function	
Smart Detection	Support human and vehicle detection
Intelligent Analysis	Intrusion, Single line crossing, Double line crossing, Loitering, Wrong-way, Smart motion detection. (Support available only in single-channel mode) Support alarm triggering by specified target types (human and vehicle).
People Counting	Support
Heat Map	Support
Fisheye Display	
Mount Type	Ceiling Mount, Wall Mount, Table Mount
Decoding Mode	On-board Dewarping/Client-side Dewarping
Display Mode	12 display modes in total Client-side Dewarping: fisheye view, fisheye view + 3PTZ, fisheye view + 8PTZ, 4PTZ, cylinder, 180 panorama view, 360 panorama view, 360 panorama + PTZ, 360 panorama + 3PTZ, 360 panorama + 6PTZ, 360 panorama + 8PTZ, half sphere On-board Dewarping: Fisheye view, 360 panorama view, 4PTZ, 180 panorama view, fisheye + 3PTZ
Network	
Protocols	IPv4/IPv6, TCP/IP, HTTP, HTTPS, UPnP, UDP/IP, RTSP/RTCP/RTP, IGMP/Multicast, SMTP, DHCP, NTP, DNS, QoS, SNMP, 802.1x, UDP, ICMP, ARP, TLS
Interoperability	ONVIF, SDK
Streaming Method	Unicast
Max. User Access	10 Users
Web Viewer	<IE11, Chrome, Firefox
Language	English, Chinese, Polish, Italian, Portuguese, Spanish, Russian, French, Czech, Hungarian. Default: English
Interface	
Network Interface	1 Ethernet (10/100 Base-T) RJ-45 Connector
Audio Interface	1ch Input, 1ch Output
Microphone	Built-in 1ch Mic
Alarm Interface	1ch Input, 1ch Output
SD Card Slot	Built-in, up to 1TB
Reset Button	Support
Electrical	
Power Supply	DC12V (-15%~+20%)/POE (IEEE 802.3af)
Power Consumption	Max 9 W
Operating Temperature	-30°C ~ 60°C (-22°F ~ 140°F)
Operating Humidity	Less than 90% RH
Ingress Protection	IP66
Certifications	CE/FCC
Casing	Metal
Dimensions	Φ130 × 38.3 mm (Φ5.12" × 1.51")
Net Weight	0.5 kg (1.10 lb)

Dimensions(mm)



Accessories

Optional:



IMCA-JB-004
Junction Box