



# ANPR Bullet Network Camera S2

4MP ANPR Bullet Network Camera



## Key Features

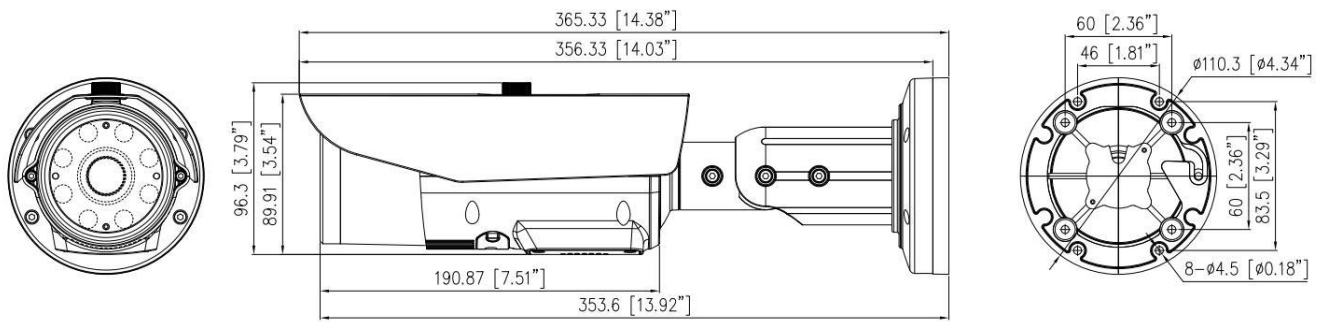
- 1/1.8" progressive scan CMOS
- Max. 4MP (2592×1520) @50/60 fps resolution
- 4.1 to 12.8 mm or 8 to 32 mm P-Iris motorized lens optional
- Intelligent AI-powered LPR Algorithm
- Max recognition speed of 100km/h
- Supports vehicle type, vehicle color, and vehicle brand recognition
- Up to 1,000 blacklist and whitelist
- Supports Wiegand, connectable with access control system.
- Built-in microphone and speaker
- 1/1 audio in/out, 1/2 alarm in/out, built-in SD card slot (up to 1 TB)
- Smart IR distance up to 35 m or 70 m
- IP66, IK10

# Specification

Camera		
Image Sensor	1/1.8" Progressive Scan CMOS	
Max. Resolution	4MP (2592×1520)	
Electronic Shutter	Auto/Manual, 1/5 to 1/100,000 s	
Min. illumination	Color: 0.0025 Lux @ (F1.2, AGC ON), B/W: 0 Lux with IR	
Day & Night	IR cut filter	
S/N Ratio	55dB	
Wide Dynamic Range	True WDR	
Angle Adjustment	Pan: 0° to 360°, Tilt: 0° to 90°, Rotation: 0° to 360°	
Lens		
Lens Type	Motorized lens, motorized focus	
Iris	Auto Iris	
Focal Length	4.1 to 12.8 mm	8 to 32 mm
F Number	F1.53 to F3.3	F1.6
Angle of View	H: 105° to 32°, V: 76° to 24°	H: 42° to 15°, V: 23° to 8°
Illuminator		
Supplement Light	IR	
Light Control	Auto/Manual	
Illumination Distance	Up to 35 m (114.8 ft)	Up to 70 m (229.7 ft)
Video		
Streaming Capability	3 Streams	
Stream/Frame Rate	Stream1: 2592×1520, 2304×1296, 1920×1080, 1280×720 @ 50/60 fps Stream2: D1, VGA, CIF @ 25/30 fps Stream3: VGA, CIF, QVGA @ 25/30 fps	
Bit Rate Control	CBR/VBR	
Bit Rate	Stream1: 200 kbps to 16 Mbps Stream2: 100 kbps to 6 Mbps Stream3: 100 kbps to 3 Mbps	
Region of Interest	Off/On (8 areas, Rectangle)	
Smart Encode	Support	
Audio		
Compression	G.711, RAW_PCM	
Bit Rate	64 kbps (G.711), 128 kbps (RAW_PCM)	
Image		
Image Adjustment	Brightness, Sharpness, Contrast, Saturation adjustable	
Mirror	Support	
White Balance	Auto/Manual	
Day/Night Setting	Auto, Day, Night, Time	

Noise Reduction	2D/3D DNR
Image Enhancement	HLC, BLC, Defog, Anti-shake
Privacy Masking	4 areas
<b>LPR</b>	
Vehicle Speed	Up to 100km/h
Country Region Supported	Support Taiwan, Vietnam and Thailand
Attributes Identification	Vehicle type, vehicle color, and vehicle brand
White/Black List	Up to 1000 records
LPR Smart Search	Support
<b>Network</b>	
Protocols	IPv4/IPv6, RTSP/ RTCP/RTP, TCP/UDP, HTTPS, DHCP, DNS, DDNS, PPPoE, FTP, NTP, SMTP, 802.1x, SNMP
Interoperability	ONVIF (profile S/T/G/M), SDK, CGI
Streaming Method	Multicast
Max. User Access	10 Users
Web Viewer	<IE11, Chrome, Firefox, Microsoft Edge
Language	English, Chinese, Polish, Italian, Portuguese, Spanish, Russian, French, Czech, Hungarian. Default: English
<b>Interface</b>	
Network Interface	1 Ethernet (10/100 Base-T) RJ-45 Connector
Built-in Microphone	Support
Built-in Speaker	Support
Audio Interface	1ch Input, 1ch Output
Alarm Interface	1ch Input, 2ch Output
RS-485	Support
Wigand Interface	Support
SD Card Slot	Built-in, up to 1 TB
Reset Button	Support
<b>Electrical</b>	
Power Supply	DC12V (-15% to +25%)/PoE (802.3af)
Power Consumption	Max 12W
Operating Temperature	-40°C to 60°C (-40°F to 140°F )
Operating Humidity	Less than 90% RH
Ingress Protection	IP66, IK10
Certifications	CE/FCC
Casing	Metal
Dimensions	φ 110 × 356.3mm ( φ 4.33" × 14.03")
Net Weight	1.5Kg (3.31lb)

## Dimensions (mm)



## Accessories

### Optional:



IMCA-JB-006  
Junction Box



IMCA-PM-004  
Pole Mount